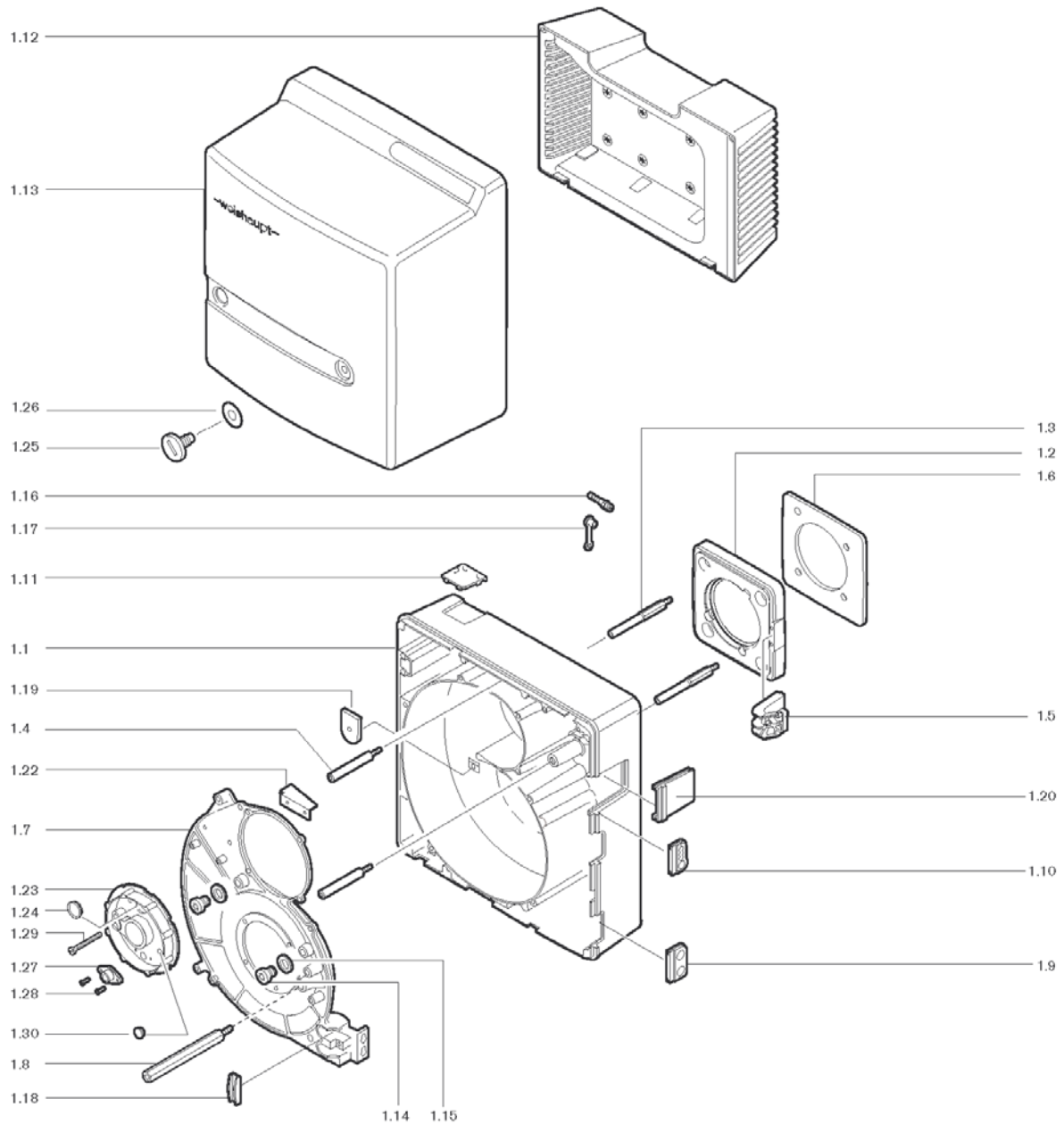
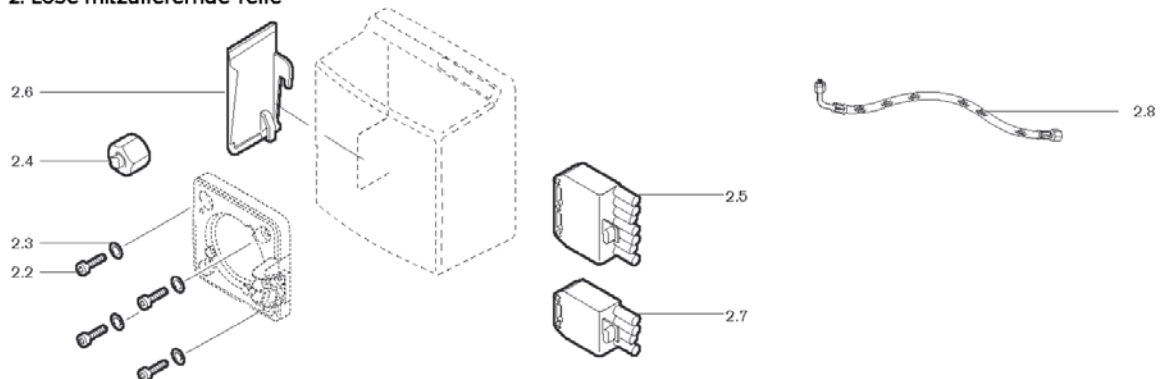


# Reservedeler for Weishaupt WL20-C og WL20-Z (totrinns) brennere

## 1. Brennergehäuse

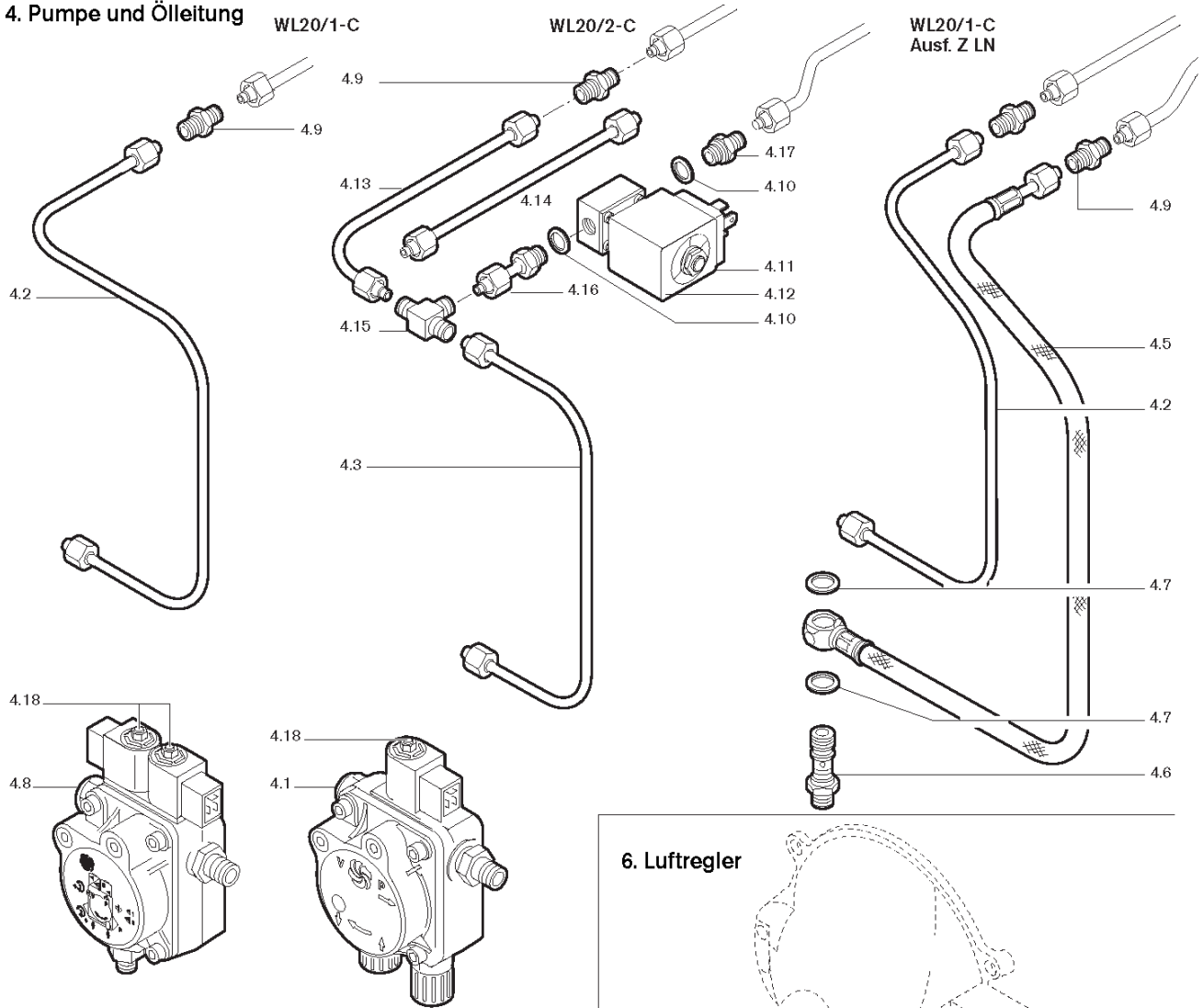


## 2. Løse mitzuliefernde Teile

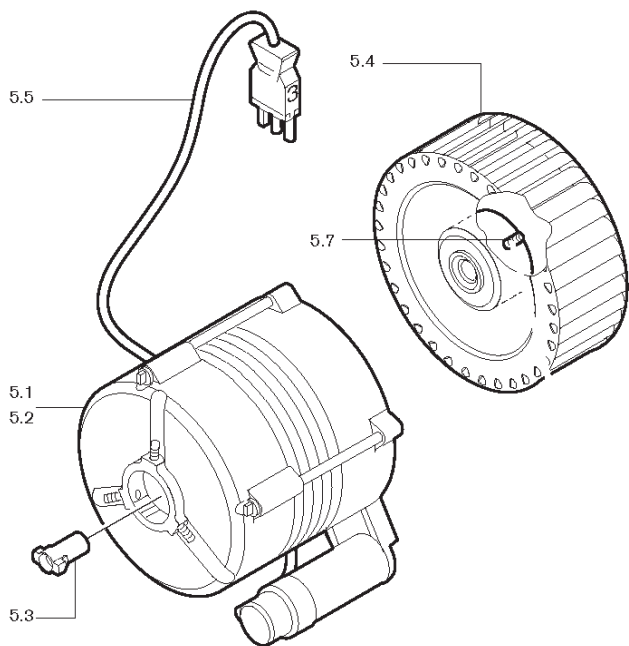


Bilde nr	Holte Industri v.nr.	Weishaupt varenr.	Beskrivelse
<b>1.</b>	<b>Brenner</b>		
1,1		241 210 0101 2 E	Burner casing
1,2	WH200060	241 210 0105 7 E	Burner flange
1,3	WH200065	241 310 0124 7 E	Stay bolt M10 x 90
1,4	WH200065	241 310 0125 7 E	Screw M8 burner housing
1,5		241 210 0106 7 E	Bracket for service position
1,6	WH200050	241 210 0110 7 E	Flange gasket
1,7	WH208580	241 210 0104 7 E	Housing cover
1,8	WH200120	241 210 0120 7 E	Stay bolt cover
1,9		241 400 0117 7 E	Grommet
1,1		241 200 0124 7 E	Grommet
1,11		241 210 0119 7 E	Sight glass
1,12	WH200010	241 210 0108 2 E	Air intake housing complete
1,13	WH200020	241 210 0111 2 E	Cover compl. with display
1,14		409004 Z	Screw
1,15		441033 Z	Sealing ring
1,16		453017 Z	Threaded socket
1,17		232 300 0104 7 E	Protective cap
1,18		241 400 0136 7 E	Holder for oil hose and cable
1,19		241 210 0118 7 E	Cover on air intake housing
1,2		241 210 0117 7 E	Cover housing
1,21		241 210 0114 2 E	Lid nozzle assembly compl.
1,22		241 210 0121 7 E	Air guide
1,23		241 210 0113 2 E	Lid nozzle assembly
1,24	WH200460	241 400 0137 7 E	Sight glass
1,25	WH200030	142 013 0115 7 E	Screw
1,26		430016 Z	Washer
1,27		241 050 0103 2 E	Flange for QRB1
1,28		426316 Z	Spacing rivet
1,29		241 400 1009 7 E	Set screw
1,3		756159 E	Closing grommet
<b>2.</b>	<b>Tilbehør</b>		
2,1		241 210 0001 2 Z	Accessories set
2,2		402517 Z	Screw M 8 X 30
2,3		430504 Z	Washer
2,4		241 100 0601 2 E	By-pass plug
2,5		716089 E	Plug part ST18/7
2,6		241 210 0112 7 E	Cover for cover
2,7		716087 E	Pin socket ST18/4
2,8	WH200130	491126 E	Oil hose
		491131 Z	Oil hose diffusion proof

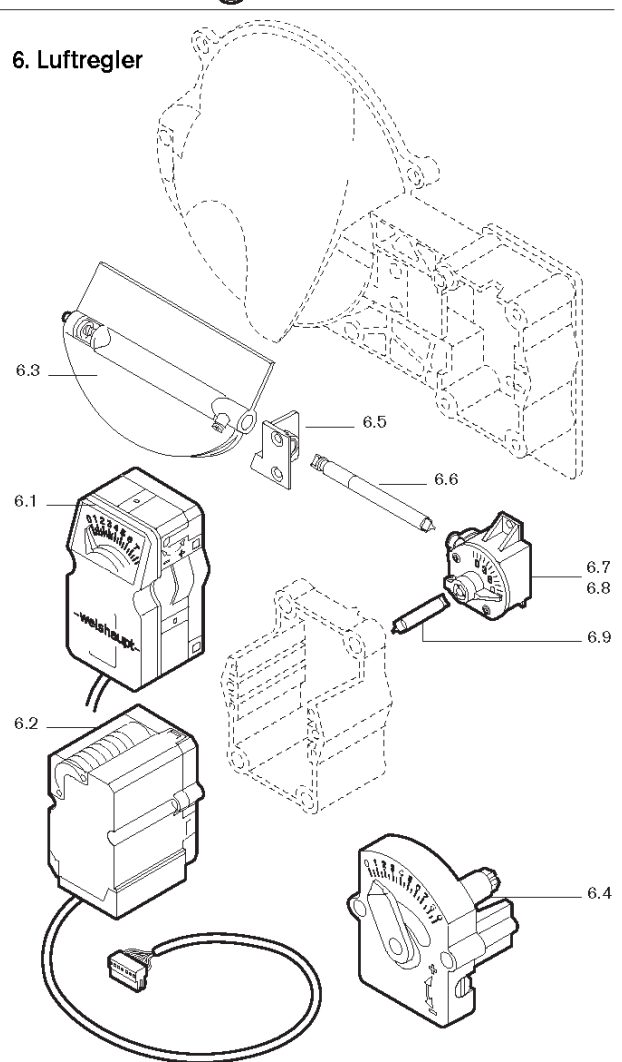
#### 4. Pumpe und Ölleitung



#### 5. Motor mit Gebläse

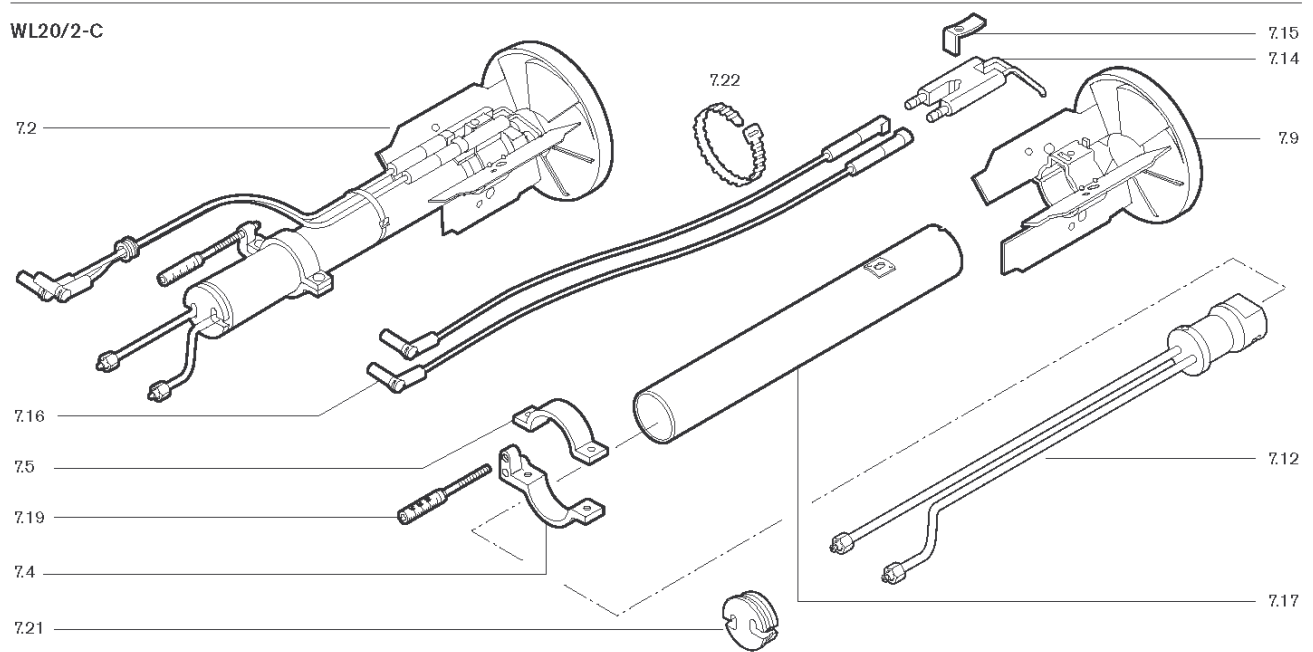


#### 6. Luftregler



Bilde nr	Holte Industri v.nr.	Weishaupt varenr.		Beskrivelse
<b>4.</b>	<b>Pump and oil lines</b>			
4,1	WH200140	601 138	E	Pump
4,2		241 2100605 8	E	Oil line
4,3		241 210 0601 8	E	Oil line pump-nozzle head
4,4	WH202525			Akselpakning til pumpe
4,5		491 247	E	Pressure hose DN4 return
4,6		241 110 0605 7	E	Hinge screw
4,7		440 035	Z	Sealing ring
4,8		601 196	E	Pump
4,9		452 020	Z	Connector
4,1		440 027	Z	Sealing ring
4,11	WH202560	604 480	E	Solenoid valve
4,12		604 453	E	Solenoid coil
4,13		241 210 1307 8	E	Oil line
		241 210 1308 8	E	
4,14		241 210 1309 8	E	Oil line
4,15		452 117	Z	Connector
4,16		241 210 1302 2	E	Threaded socket
4,17		241 210 1310 7	Z	Connector
4,18	WH200150	604 429	E	Solenoid coil
		604 428	E	Solenoid coil
4,18a	WH200151			Ventil til oljepumpe AL uten magnetpole
4,19	WH200155	601 107	E	Filter Set
<b>5.</b>	<b>Motor with fan</b>			
5,1	WH200160	652 084	E	Motor ECK04/F-2
5,2		652 086	E	
		652 085	E	
5,3	WH200190	652 049	E	Plug coupling
5,4	WH200170	241 210 0803 2	E	Fan
		241 210 0804 2	E	
5,5	WH200180	241 400 1211 7	E	Plug cable
5,6		713 463	E	Capacitor
5,7		420 550	Z	Crub screw for fan
<b>6.</b>	<b>Air regulator</b>			
6,1		651 049	E	Servo drive
		651 050	E	
6,2	WH200470	651 102	E	Stepping motor
6,3		241 210 0202 2	E	Air flap
6,4	WH200210	241 050 0202 2	E	Manual adjustment
6,5		241 210 0203 2	E	Bearing
6,6		241 210 0205 7	E	Shaft angle drive-servomotor
6,7		241 110 0205 2	E	Angle gearing spring 1
6,8		241 110 0206 2	E	spring 2
6,9		241 400 0215 7	E	Shaft
6,1		241 210 0208 2	E	Air regulator with manual setting
6,11		241 210 0209 2	E	Air regulator spring 1
6,12		241 210 0207 2	E	Air regulator spring 2

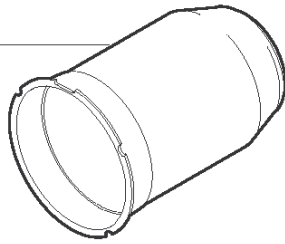
WL20/2-C



Bilde nr	Holte Industri v.nr.	Weishaupt varenr.	Beskrivelse
7.	Dysesett		
7.			Nozzle assembly
7,1		241 210 1001 0	E Nozzle assembly
7,2		241 210 1002 0	E
7,3		241 210 1003 0	E
7,4		241 400 1006 7	E Switch lever base part
7,5		241 400 1007 7	E upper part
7,6		241 310 1415 2	E Ignition electrode holder
7,7		241 200 1453 2	E
7,8		241 210 1407 2	E
7,9	WH200240	241 210 1409 2	E with screw M4
7,1		241 210 1013 2	E Nozzle head cpl.
7,11		241 210 1012 2	E
7,12		241 210 1015 2	E
7,13		241 200 1452 7	E Ignition electrode
7,14	WH200230	241 210 1004 7	E
7,15		142 013 1024 7	E Tension spring
7,16	WH200220	241 210 1102 2	E Ignition line
7,17		241 210 1001 2	E Guide tube with stop
7,18		241 210 1002 2	E
7,19		241 110 1009 7	E Indicator bolt
7,2		241 110 1008 7	E Plug
7,21		241 210 1005 7	E Bracket for oil lines
7,22		794 089	E Release cable tie
	RE1108462		Filter
	FR1752063	1,25-60S	Dyse CLK 120
	FR1752163	1,35-60S	Dyse CLK 150
	FR1752863	2,0 -60S	Dyse HTL 250
	FR1752763	1,75-60S	Dyse HTL 250

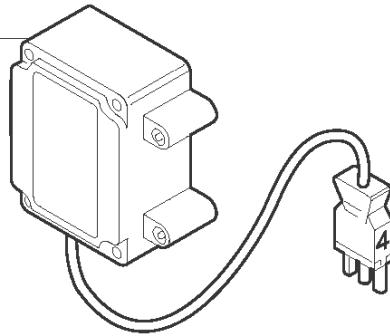
## 8. Flammkopf

8.1  
8.2  
8.3



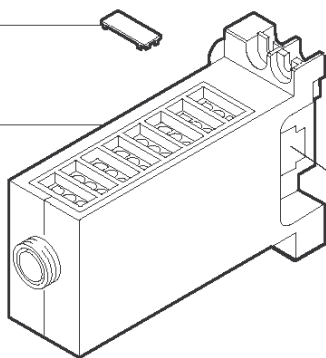
## 9. Zündgerät

9.1

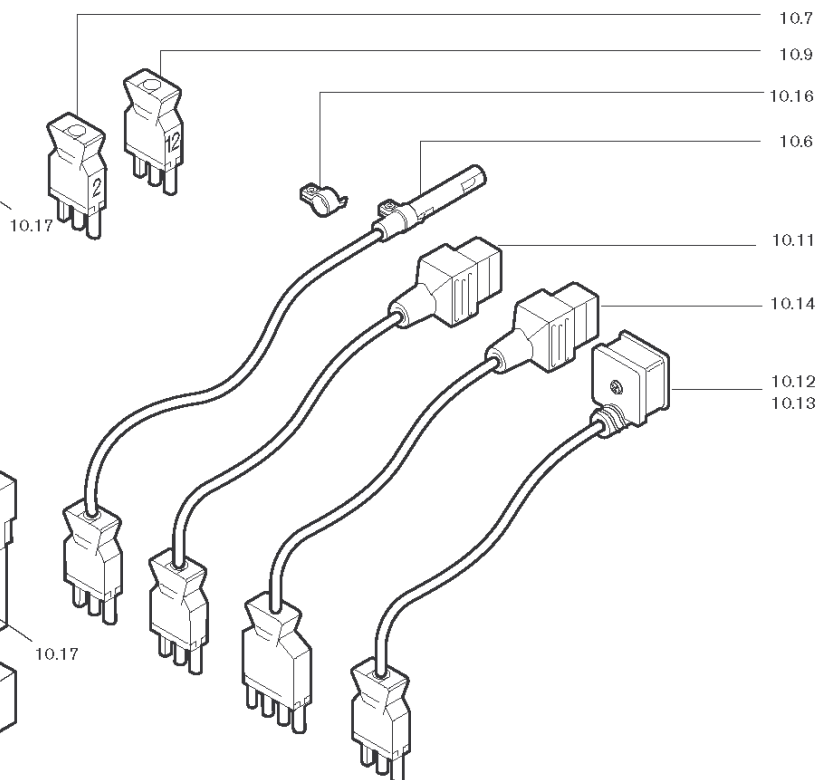
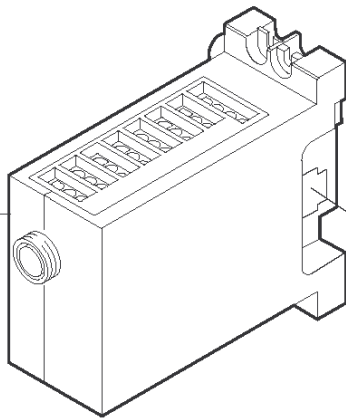


## 10. Flammenüberwachung

10.10  
10.1  
10.2



10.3  
10.4  
10.5



Bilde nr	Holte Industri v.nr.	Weishaupt varenr.		Beskrivelse
<b>8.</b>	Flammehode			
8,1		241 210 1405 2	E	Flame tube
8,2	WH200250	241 210 1406 2	E	Flammerør WL 20 2C
8,3		241 210 1404 2	E	
<b>9.</b>	Starter-enhet			
9,1	WH200260	603 186	E	Ignition unit W-ZG 01
9,2		603 127	E	
<b>10.</b>	Flammeovervåking			
				Combustion manager
10,1	WH200270	600 333	E	Fyringsautomat W-FM 05
10,2		600 334	E	
10,3	WH200320	600 336	E	Fyringsautomat W-FM 10
10,4	WH200410	600 357	E	Reset button extension
10,5		600 358	E	Adapter ring
10,6	WH200280	241 310 1201 2	E	Flame sensor QRB1A
		241 050 1202 2	E	Flame sensor QRB1B
10,7	WH200290	240 200 1201 2	E	Brostøpsel nr2
10,9	WH200300	241 050 1203 2	E	Brostøpsel nr12
10,1	WH200411	600 312	E	Cover clip for comb. manager
10,11	WH200310	142 013 1215 2	E	Kabel nr5 magnetvent-1trins
10,12		241 210 1202 2	E	Plug cable No. 1
10,13	WH200364	241 210 1203 2	E	Kabel nr 1 magnetvent - trinn 2
10,14	WH200362	241 210 1201 2	E	Kabel nr 5 magnvent - 2 trinnsbrenner
10,16		600 566	E	Holder 1096 for QRB1
10,17	WH200430	722 024	E	Fine fuse

Kontaktinformasjon:

Holte Industri AS  
Håtveitvegen 13  
3810 Gvarv

Telefon 35 95 93 00  
e-post: [info@holteindustri.no](mailto:info@holteindustri.no)  
[www.holteindustri.no](http://www.holteindustri.no)